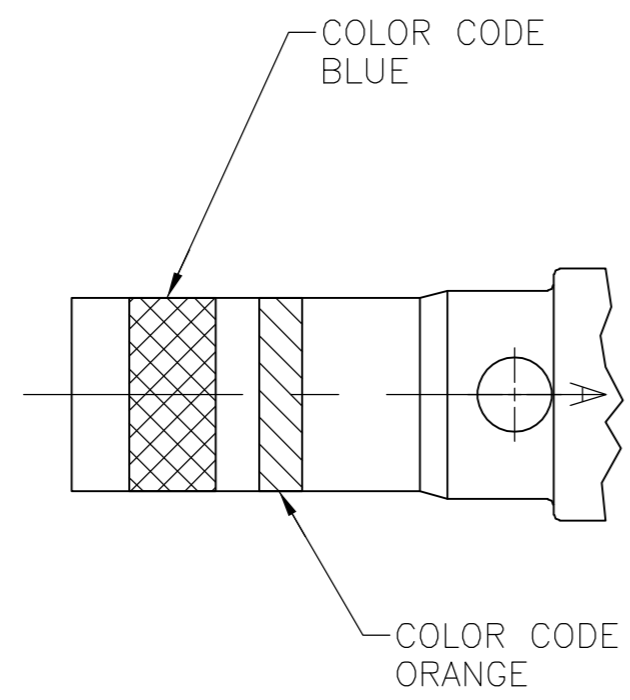
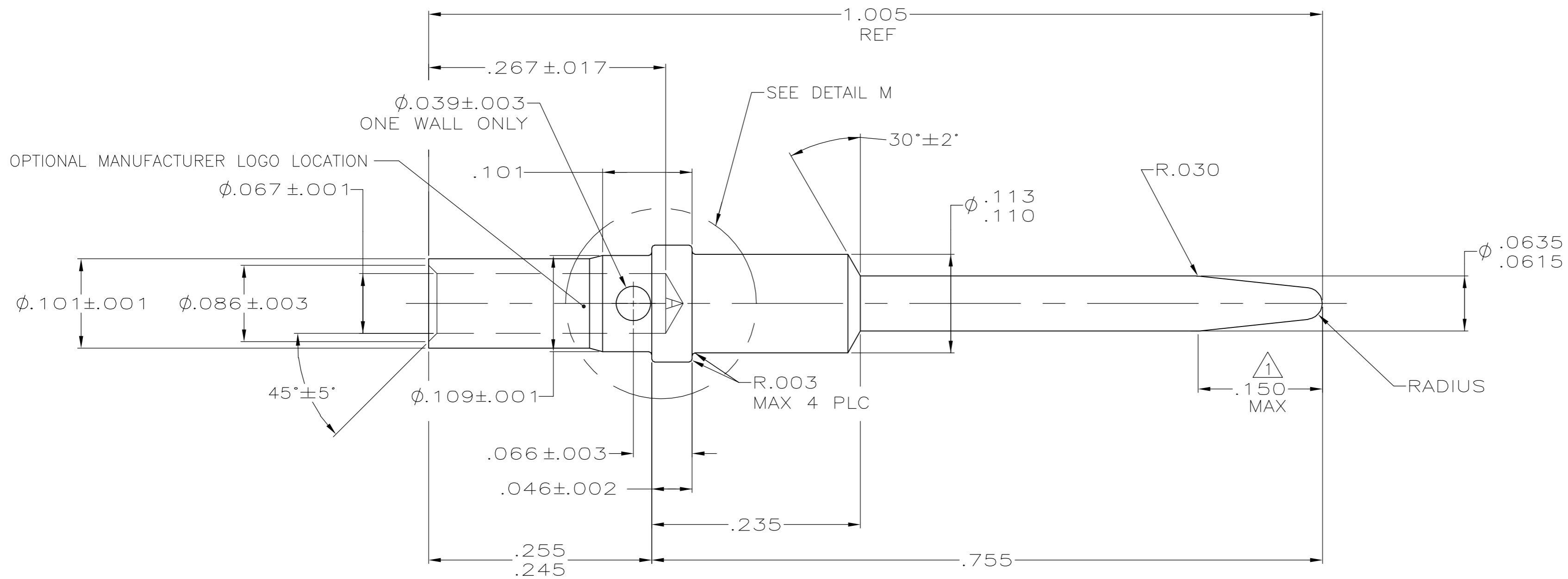


THIS DRAWING IS UNPUBLISHED. RELEASED FOR PUBLICATION
 © COPYRIGHT BY TYCO ELECTRONICS CORPORATION. ALL RIGHTS RESERVED.

LOC		DIST		REVISIONS			
P	LTR	DESCRIPTION	DATE	DWN	APVD		
DF	A0	F	REV PER EC 0H14-0154-04	24JAN06	TK CT		

- ① ELECTRICAL ENGAGEMENT POINT
- ② AS SHOWN
- ③ SAME AS -2 EXCEPT:
COLOR CODE PER DETAIL Z



DETAIL Z
(APPLIES TO -3 ONLY)

③	208268-5
②	208268-3
②	208268-2
DESCRIPTION	PART NUMBER

THIS DRAWING IS A CONTROLLED DOCUMENT.		DWN C.C.THOMAS 8-20-04	Tyco Electronics Corporation Harrisburg, PA 17105-3608	
DIMENSIONS: INCHES		CHK S.GLATFELTER 8-20-04		
TOLERANCES UNLESS OTHERWISE SPECIFIED:		APVD S.GLATFELTER 8-20-04	NAME	
0 PLC ± - 1 PLC ± - 2 PLC ± - 3 PLC ± .005 [0.13] 4 PLC ± - ANGLES ± -		PRODUCT SPEC	PIN CONTACT, SIZE 16 ARINC 600 TYPE	
MATERIAL COPPER ALLOY		FINISH GOLD PER ASTM-B-488 OVER NICKEL PER QQ-N-290	APPLICATION SPEC	RESTRICTED TO
		WEIGHT -	SIZE A2	CAGE CODE 00779
		CUSTOMER DRAWING	DRAWING NO C=208268	SCALE 10:1
			SHEET 1 of 1	REV F

208268